

Sink Apron 30" x 18" – U/M



Kitchen Sinks

Code: 1060 900

AISI 304 Stainless steel

Satin finish

Undermount

x cross bending for easy water draining



DETAILS

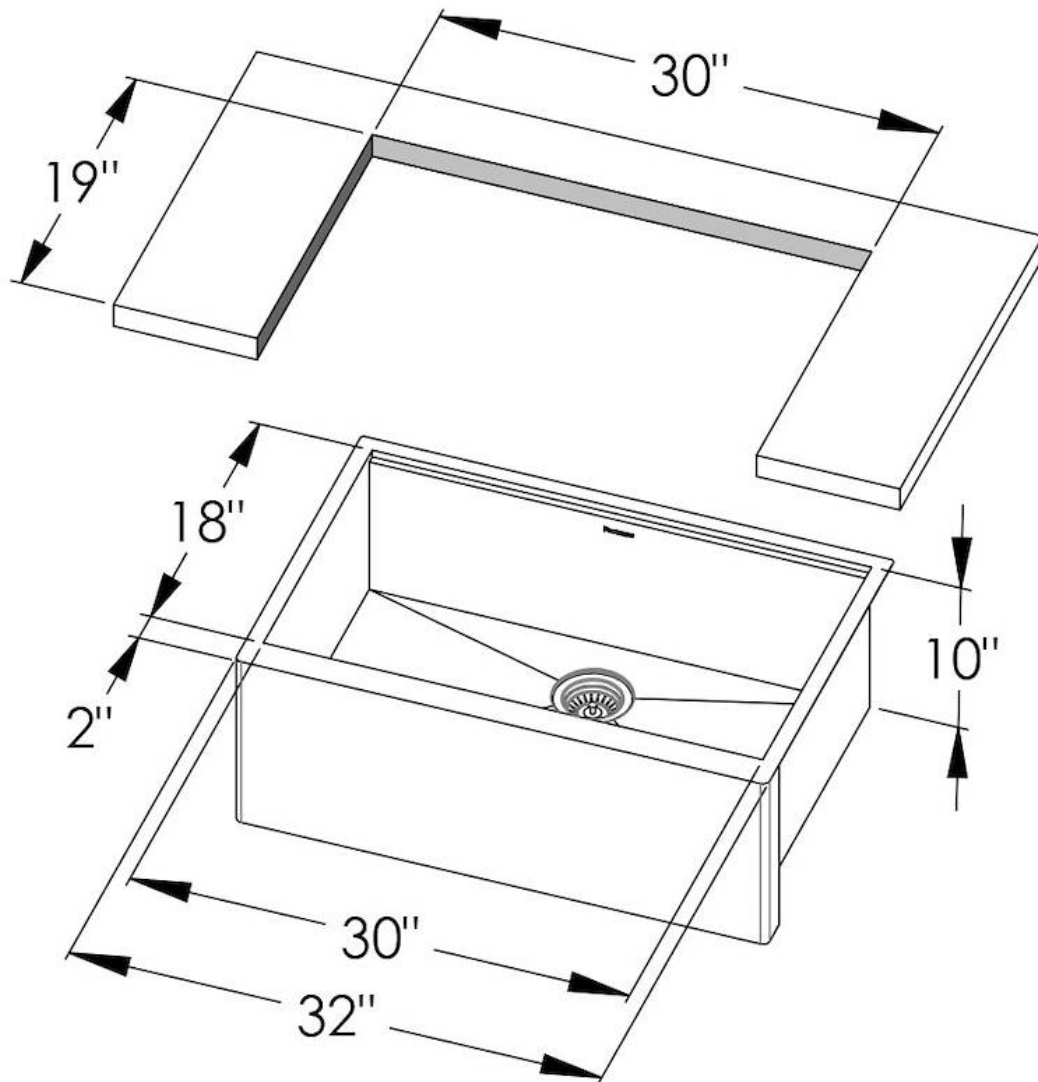
Series	Apron
Material	AISI 304 stainless steel
Finish	Satin finish
Thickness	16 Gauge (1.5 mm)
Inset type	Undermount
Overall dimensions	32" x 21"
Bowl dimension	1 bowl 30" x 16 ¹⁵ / ₁₆ "
Bowls depth	10"

Cut out	See technical sheet
Waste fitting type	3 1/2" - with stainless steel basket
Bowls bottom	X cross bending for easy water draining
Underside	Protected with heavy duty undercoating
Fixing system	Undermount fixing kit (brass insert and clips)

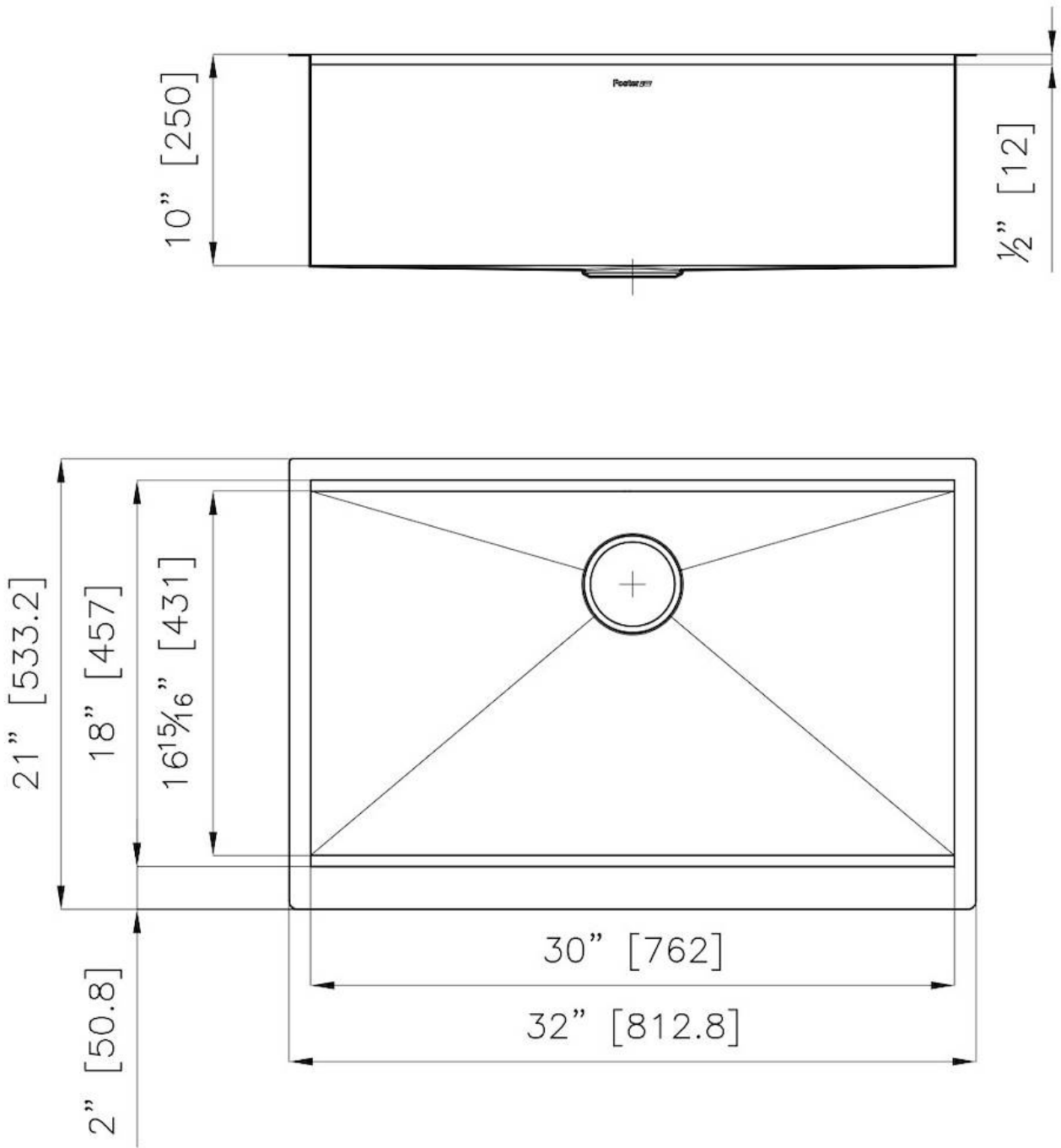
FEATURES

Diamond-shape bottom	The draining of water is an important feature in a sink, and it's always taken good care of in Foster products. In the bent-welded sinks, which would have a flat bottom, the proper draining is guaranteed by the elegant beveling, which helps the water flow.
Double recess	The "rails" system makes it possible use a combination of numerous accessories. Grids, Chopping boards, utensils' ranging systems, bowls and containers of different dimension can be alternates in the workspace with a simple gesture, and can easily be stacked, in order to be on hand at all times.
High thickness	1.5 mm thick steel. A significant thickness, which guarantees the maximum sturdiness and durability.
Basket 3,5" waste fitting	The drain is equipped with a large 3.5" drain, with the practical basket cap that prevents the discharge of solid parts.

TECHNICAL DATA

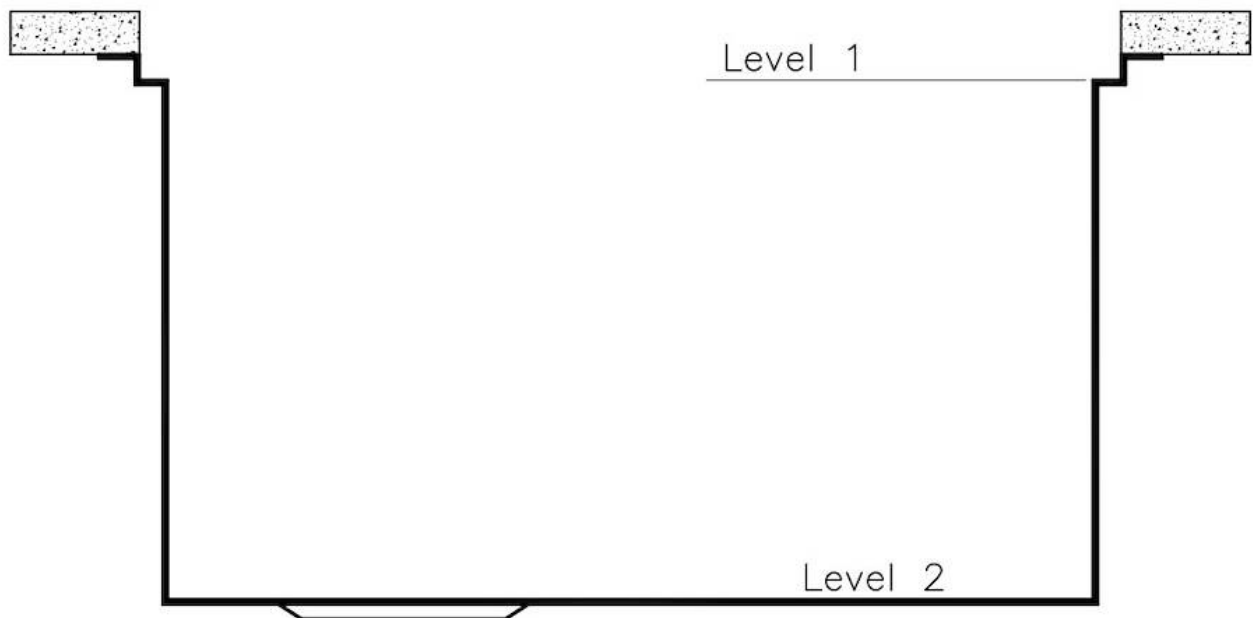


This template is intended for 1" front reveal.
If a different reveal is preferred, the template
must be customized by the installer.



Apron Optional accessories

The "rails" system makes it possible to use a combination of numerous accessories. Grids, chopping boards, utensils' ranging system, bowls and containers of different dimensions can be alternated in the workspace with a simple gesture, and can easily be stacked, in order to be on hand at all times.



Apron Level 1

Compatible accessories:

8100 605

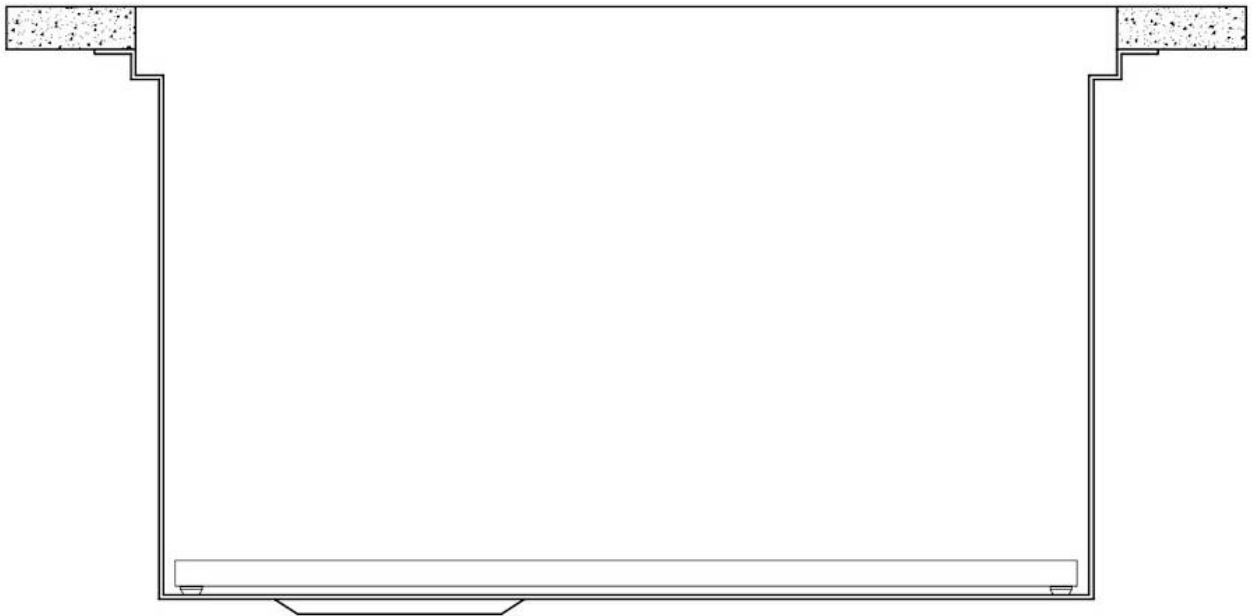
8644 104



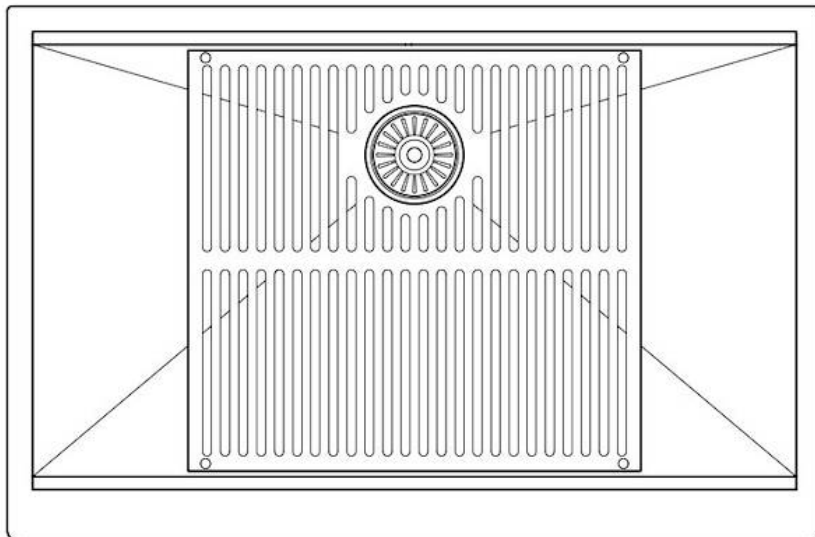
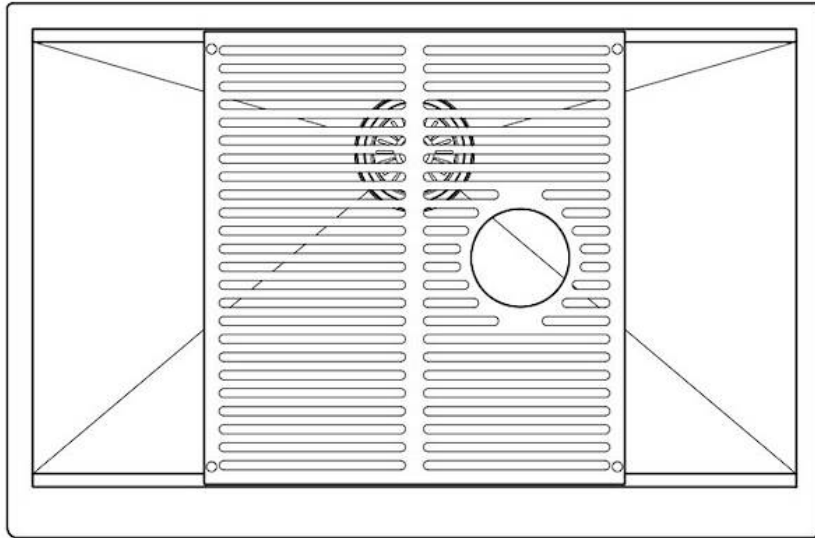
Apron Level 2

Compatible accessories:

8100 605



Edge positioning



Bottom positioning

OPTIONAL ACCESSORIES



Bottle holder
1773 723



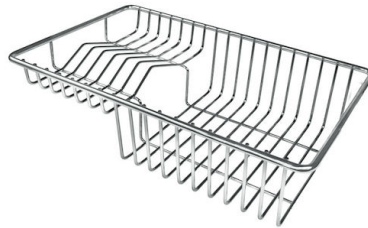
Canova Black grid
8100 605



Grating kit complete with ring support and food collection tray
8159 101



Knives-holder
8100 030



Stainless Steel dishes holder
8100 303



Stainless steel perforated pan
8151 000



Twin Chopping Board in HDPE
8644 104



Waste disposer throat
8669 043

RECOMMENDED PAIRINGS



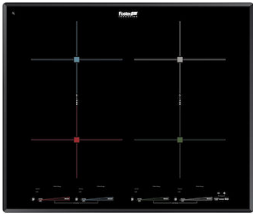
Faucet Capri
8467 005



Faucet Salina
8487 005



Milano Cooktop 4 burners
7637 900



Milano Induction Cooktop 4 Plate
7371 945